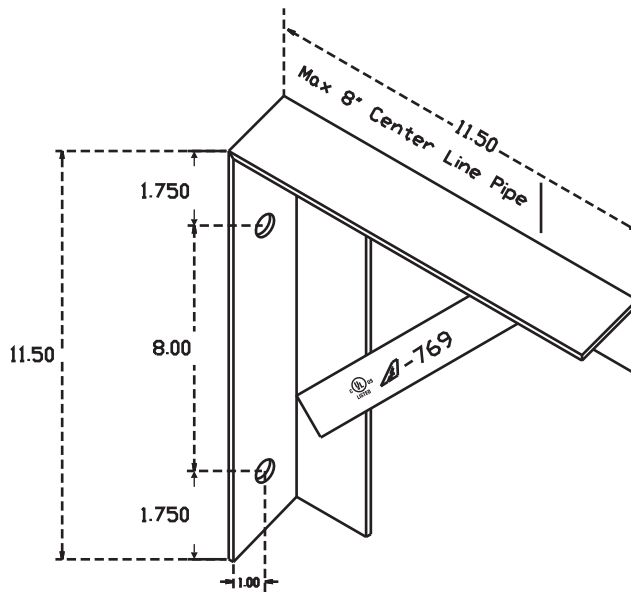




P.O. Box 3365 South El Monte, CA 91733 626.444.0541 Fax 626.444.3887 www.Afcon.org

769

HANGER BRACKET



Special Note:
When plain, incidental rust is typical.

SIZE - SYSTEM PIPE: 6" sch. 40 max.
MATERIAL - Carbon Steel.
FINISH - Plain and E.G.
LISTING/APPROVAL -



FUNCTION - To support piping from vertical mounting surface.
INSTALLATION - Per these instructions
including NFPA 13 and the fastener manufacturer.
Install pipe at **max. 8"** centerline.
Horizontal piping = 15' max. spacing.
Vertical piping = double to form riser support @ 25' max. spacing.
For RT/LT pair - drill flanges to match.

FASTENERS -
2 - 9/16" holes provided for 1/2" fasteners.
Fastener holes may be enlarged - consult **AFCON**.
ORDERING - Part # and finish.

NOTE - See "Fastener Installation Guideline" - at www.afcon.org

769 4in pipe option

