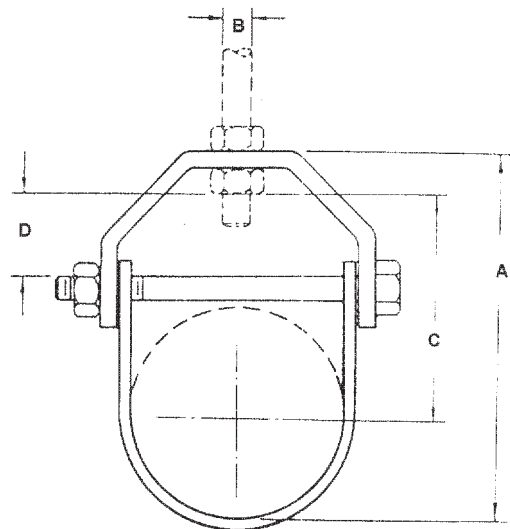
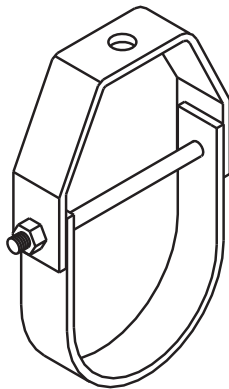




P.O. Box 3365 South El Monte, CA 91733 626.444.0541 Fax 626.444.3887 www.Afcon.org

370

CLEVIS HANGER LIGHT DUTY



SIZE - 1/2 thru 4 inch pipe.
MATERIAL - Carbon Steel.
FINISH - Plain, E.G., H.D.G. and S.S.
LISTING/APPROVAL - Conforms to Federal Specification WW-H-171E, type 12.
OSHPD OPA-0601 See Website.
FUNCTION - Recommended for the suspension of non-insulated, stationary pipe lines.
ORDERING - Part #, pipe size and finish.
NOTE: Maximum Temperature: 650°F.

PIPE SIZE	ROD SIZE				CROSS BOLT	STOCK SIZE		MAX REC. LOADS LBS.
	A	B	C	D		TOP	BOTTOM	
1/2	2 13/16	3/8	1 3/16	1	1/4	13ga x 7/8	13ga x 7/8	150
3/4	3	3/8	1 7/8	1	1/4	13ga x 7/8	13ga x 7/8	250
1	3 5/16	3/8	2 1/16	1	1/4	13ga x 7/8	13ga x 7/8	250
1 1/4	3 11/16	3/8	2 1/4	1	1/4	13ga x 7/8	13ga x 7/8	250
1 1/2	4	3/8	2 3/8	1	1/4	13ga x 7/8	13ga x 7/8	250
2	4 7/16	3/8	2 3/4	1	1/4	13ga x 7/8	13ga x 7/8	250
2 1/2	5 3/8	1/2	3 1/4	1 1/4	3/8	1/8 x 1 1/4	1/8 x 1 1/4	350
3	6	1/2	3 1/2	1 1/4	3/8	1/8 x 1 1/4	1/8 x 1 1/4	350
3 1/2	6 5/8	1/2	3 3/4	1 1/4	3/8	1/8 x 1 1/4	1/8 x 1 1/4	350
4	7 1/2	5/8	4 1/4	1 1/2	3/8	3/16 x 1 1/4	3/16 x 1 1/4	400

