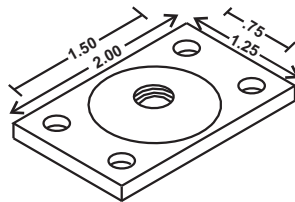




P.O. Box 3365 South El Monte, CA 91733 626.444.0541 Fax 626.444.3887 www.Afcon.org

610

CEILING PLATE



SIZE - ROD: 3/8"
SIZE - SYSTEM PIPE: 4" max.
MATERIAL - Carbon Steel or S.S. (Type 304).
FINISH - E.G.
LISTING/APPROVAL -



FUNCTION - Attachment component of an *AFCON* hanger.
 To support horizontal piping.

INSTALLATION - Per NFPA 13 and these instructions.
 Install on horizontal mounting surface.

ASSEMBLY/ATTACHMENT - See drawing.

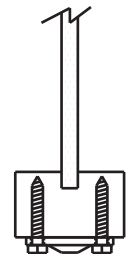
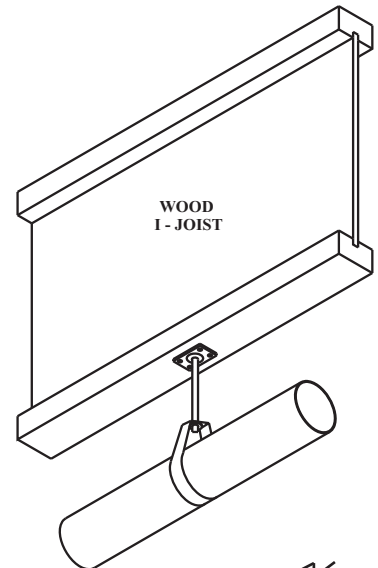
*FASTENER LOCATION OPTIONS - See chart.

SPECIAL **FASTENERS PER NFPA 13 FOR STEEL PIPE - SEE TABLE.**

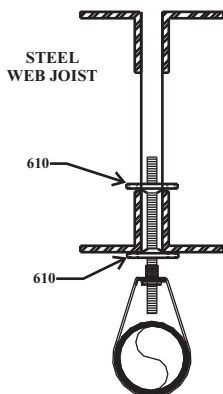
FEATURES

- * **Fastener array** for enhanced mounting ability.
- Wood I-Joist** - alternative to joist clamp.
spaces fasteners remote from web element.
- Steel web joist** - self centers in chord space.
- * Offset tapped rod bore allows 3/16" thread through.

ORDERING - Part # and finish.



*Fastener Locations
 2 @ A - C or B-D



MOUNTING FASTENERS					
Wood			Steel - 1/4 or #14 Tek Steel Pipe		
Fastener - No Pre Drill	Qty.	Steel Pipe	Min. Thickness	Qty.	Steel Pipe
1/4 x 1 1/2 LB	2	3	14 GA.	2	4
	4	4	16 GA.	2	2
#14 x 1 1/2 SMS	2	3		4	4
	4	4			
Wood - Thru 5/8 Gyp.			Steel - #10 SMS or #905		
1/4 x 2 LB	2	2	18 GA.	4	2 1/2
	4	4	20 GA.	4	2 1/2
#14 x 2 SMS	2	2	22 GA.	4	2
	4	4			

SMS = Sheet Metal Screw
 DS = Drive Screw
 LB = Lag Bolt
 Gyp = Gypsum Board

