

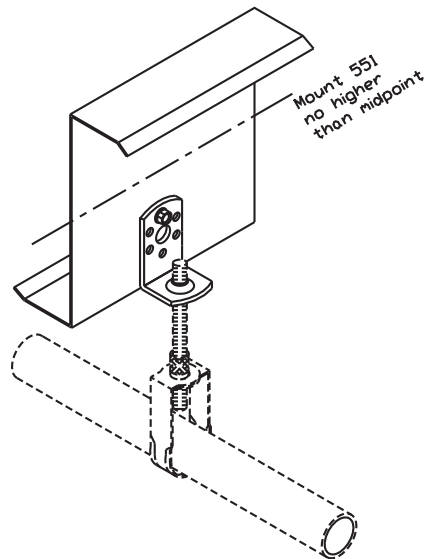
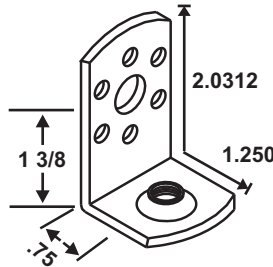


P.O. Box 3365 South El Monte, CA 91733 626.444.0541 Fax 626.444.3887 www.Afcon.org

551

REVOLVER™

SIZE - ROD: 3/8"
 SIZE - SYSTEM PIPE: 4" max.
 MATERIAL - Carbon Steel or S.S. (Type 304).
 FINISH - Mil. Galvanized.
 LISTING/APPROVAL -



PATENT - No. 6,568,642

FUNCTION - Attachment component of an AFCON hanger.

To support horizontal piping.

INSTALLATION - Per NFPA 13 and these instructions.

Install on vertical mounting surface.

ASSEMBLY/ATTACHMENT - See drawing.

Center mounting hole accepts 3/8" and 1/2" fasteners.

SPECIAL FASTENERS PER NFPA 13 - See table.

Special Note:
 The purlin lip is not capable of supporting NFPA 13 fire sprinkler pipe at 1(wt.)+250 lbs min. When purlin manufacturers specify 200 lbs. max.

FEATURES

- * Universal fastener array for enhanced mounting.
- * Hangs plumb from one fastener.
- * Radius -Tapped Rod Bore: Improves thread engagement and eliminates structural deficiencies associated with rod inserts.
- * No backing nuts required.

ORDERING - Part # and finish.

UL LISTED STEEL PIPE MOUNTING FASTENERS									
Wood		Qty.	Pipe Size	Steel - #14 SMS or #14 Tek		Steel - #10 SMS or #905			
				Min. Thickness	Qty.	Pipe Size	Min. Thickness	Qty.	Pipe Size
1/4 x 1 1/2	LS	1	2	14 GA.	1	3	18 GA.	1	2 1/2
		2	4		2	4		2	3
#14 x 1 1/2	SMS	1	2	16 GA.	1	2 1/2	20 GA.	3	4
		2	4		2	4		2	3
#16 x 2	DS	2	2	18 GA.	1	2 1/2	22 GA.	4	4
		3	4		2	3		3	3
Wood - Thru 5/8" Gyp									
1/4 x 2	LB	1	2	20 GA.	* 1	2	SMS = Sheet Metal Screw DS= Drive Screw LS = Lag Screw Gyp= Gypsum Board Tek=Tek Screw		
		2	4	* @ B ONLY	2	3			
#14 x 2	SMS	1	2		3	4			
		2	4	22 GA.	3	2 1/2			

