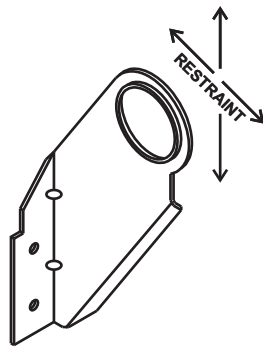




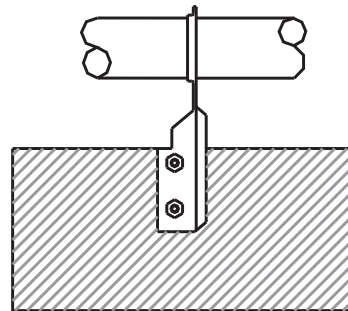
P.O. Box 3365 South El Monte, CA 91733 626.444.0541 Fax 626.444.3887 www.Afcon.org

515

DOUBLE OFFSET HANGER & RESTRAINER CPVC



Hanger/Restrainer



SIZE-SYSTEM PIPE: 3/4" and 1"

MATERIAL - Carbon Steel.

FINISH - Mil. Galvanized.

LISTING/APPROVAL -



PATENT - No. 6,702,236

FUNCTION - Hanger for support of CPVC pipe.

Seismic restraint - **Both** horizontal and vertical.

Vertical restraint for sprinkler discharge.

INSTALLATION - **Per these instructions**

including NPFA 13, 13R, 13D and CPVC manufacturers.

When fastener threads are exposed through wood, install backing nut.

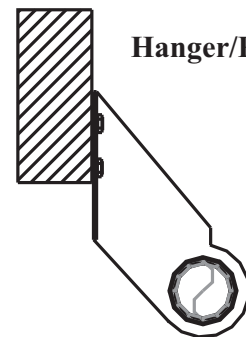
ASSEMBLY/ATTACHMENT - See drawings.

SPECIAL **FASTENERS PER NFPA 13** - See table.

FEATURES

- * Double 1 1/2" offset with common pipe center-line.
- * Offset edge eliminates abrasion.
- * Pipe bore provides robust support for rough job conditions.
- * Pipe slides easily through bore.

ORDERING - Part # and pipe size.



Hanger/Restrainer

MOUNTING FASTENERS	
CPVC Pipe	Wood
Hanging/Vertical Restraint	#904 or #14 x1 1/2 SMS
Horizontal Restraint	#904 or #14 x1 1/2 SMS

SMS = Sheet Metal Screw

* **AFCON #904** Screw - **custom 3/8"** hex head.

Specific AFCON products are exclusively designed to be compatible ONLY with other AFCON products including parts and fasteners, resulting in a listed sway brace, restrainer or hanger assembly. Be advised the following warranty restriction will apply. **DISCLAIMER** - AFCON will NOT warrant against the failure of its products when used in combination with other products, parts or systems not manufactured or sold by AFCON. AFCON shall NOT be liable under any circumstances whatsoever for any direct or indirect, incidental or consequential damages of any kind, including but not limited to loss of business or profit, when non-AFCON products have been, or are used.

